



**COLPOSCOPES &  
ASSOCIATED EQUIPMENT**



**Dr. Thomas Kupferschmidt**

Head of Sales

Dear Customers,

Leisegang is a long-established German company that was founded over 120 years ago. Since 1947, Leisegang has specialized in the manufacture of colposcopes, and over the years has become one of the world's market leaders in this field. The use of high-quality optics, the use of white-light LED lighting, and a high degree of hand-finished manufacturing all contribute to the outstanding quality that is essential for accurate diagnosis in gynecological consultations. This is why Leisegang colposcopes are known worldwide as the „Gold Standard“ in colposcopy and are currently exported to more than 80 countries worldwide. As a subsidiary of the American CooperSurgical Group, we can bundle all products related to dysplasia consultations and thus offer you expertise from a single source.

Thank you for your trust

Your Leisegang Team

## Table of Contents

	<b>What is colposcopy?</b>	<b>3</b>
	<b>Six good reasons for choosing LEISEGANG</b>	<b>4</b>
	<b>Colposcopes</b>	<b>8</b>
	<b>Stands</b>	<b>11</b>
	<b>Associated equipment</b>	<b>15</b>
	<b>MediaWorkStation</b>	<b>20</b>
	<b>Quick Finder</b>	<b>22</b>
	<b>Contact Partner</b>	<b>24</b>

## What is colposcopy?

Colposcopy first emerged in the 1920s. In 1925, the German physician Hans Hinselmann examined and classified epithelial changes and thus invented colposcopy, which translates as „vaginal examination“ (Greek: „kolpos“ = vagina; „skopia“ = examination). Hinselmann thus made a decisive contribution to the early detection of cervical cancer.

Colposcopy still plays a crucial role in the early detection of preinvasive and invasive epithelial changes in the genital tract:

- Cervical cancer is considered the second leading cause of death in women worldwide;
- More than half a million women are diagnosed with this cancer each year worldwide;
- Half of them will die as a result.

Cervical cancer can be cured if detected early. The quality of the colposcope is of critical importance. Leisegang colposcopes provide a three-dimensional image thanks to their excellent optics, various levels of magnification and first-class illumination, thus enabling optimal non-contact observation of the external tissue and early detection of pathological changes.

## A brief introduction to our products

The range of colposcopes offered is extensive and includes everything from simple standard colposcopes with several magnification levels to photo/video colposcopes with an externally connectable camera. Optimal associated equipment such as documentation software and hardware broaden the application capabilities. As a modular system, Leisegang colposcopes and the corresponding hardware and software components facilitate an introduction to digital colposcopy with the option of integration into existing IT solutions via GDT or DICOM interfaces (Digital Information and Communication in Medicine).

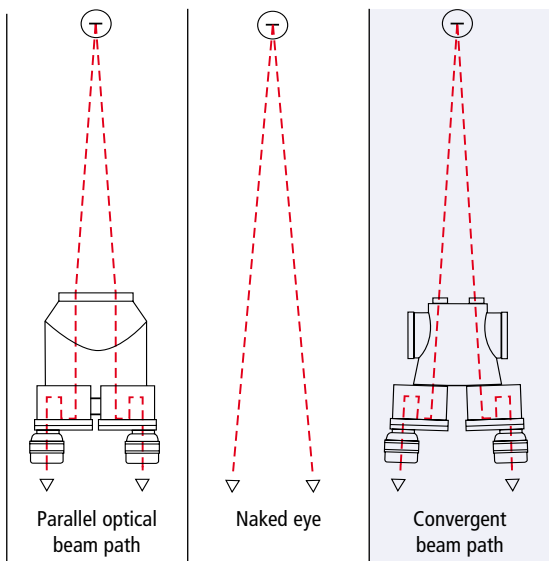
Our customers can use their colposcope - as they know it from ultrasound or sonography - as an „Imaging Modality“: From a colposcope head with an HD camera, user-friendly software for documenting images, videos, reports all the way to integration into the already existing IT solutions in hospitals or private practices.

Leisegang colposcopes comply with medical and technical quality requirements, guidelines and regulations.

### Intended Use

Leisegang colposcopes are used in gynecological examinations for magnified, non-contact viewing of the external female genitalia (vulva, vagina, cervix). However, colposcopes can also be used for magnified, non-contact viewing of other external organs. Leisegang photo/video colposcopes with externally connected cameras can also be used to document findings. Leisegang colposcopes are used exclusively for optical imaging. For a final analysis, Leisegang Feinmechanik-Optik GmbH recommends using cytological findings.

# Six good reasons for choosing LEISEGANG



Comfortable colposcopy with or without glasses



## 1 Manufacturing Production

Leisegang colposcopes are 100% manufactured in the factory, with a large proportion of skilled craftsmanship performed in Berlin/Germany.

## 2 Convergent Optics

Unlike the parallel optics commonly available on the market, Leisegang offers convergent optics for fatigue-free work. Convergent optics have the advantage that the light beams coincide at a working distance of 300 mm, and thus the eye does not have to focus on this distance on its own.

## 3 Ergonomic Design

Decades of experience and a well thought-out design contribute to user-friendly handling and a streamlined structure. Ergonomically mounted adjustment drives for height, focus and angle tilting allow the colposcope to be positioned with accuracy to the exact millimeter. Detachable rings for eyepiece caps make colposcopy possible even with eyeglasses.

Ergonomic fine adjustments for height, focus and tilt





## 4 LED Lighting

All Leisegang colposcopes are equipped with continuously adjustable white-light LED lighting. A higher light intensity allows a clearly superior contrast, resulting in precise optical imaging. Leisegang provides an extremely bright LED spotlight with a illumination intensity between 45,000 and 52,000lux at a working distance of 300 mm.



## 5 Comfortable Stands

Whether mobile or permanently fixed to an examination chair, Leisegang stands are distinguished by ease of use and low space requirements.

A slim, sophisticated design ensures reliable stability and allows for maximum possible movement for accurate positioning.



## 6 Durability

Leisegang colposcopes feature an impressive service life, and there is also no need to change lamps. It's an investment that will pay off.

Even today, these devices are still in use in doctors' offices:

Model II – from the 1960s



Model I A – from the 1970s



Model III b – from the 1980s



# Six good reasons for choosing LEISEGANG

## Selected references:

### Germany

Universitätsklinik Hamburg-Eppendorf

Katholisches Klinikum Mainz

Helios Klinikum Berlin-Buch

Ernst von Bergmann Klinikum, Potsdam

Universitätsklinikum Tübingen

### International

Johns Hopkins Hospital, Baltimore, USA

Yale University – New Haven, CT, USA

Chu Bichat-Cl. Bernard, Paris, France

Perinatal Center of Bakulevs Institute, Moscow, Russia

University Hospital, Kuala Lumpur, Malaysia

National Cancer Institute, Bangkok, Thailand

Beijing University People's Hospital, Beijing,  
People's Republic of China

Gandhi Hospital, Secunderabad, India



**Dr. Shakuntala Baliga**  
India

"Leisegang is one of the oldest and among the best manufacturers of precision instruments in the world. The Leisegang colposcope is considered the "Gold Standard" by the industry and by doctors.

The software is very suitable for doctors for everyday use."



**Dr. Quek Swee Chong**  
Singapore

"I have been using Leisegang colposcopes for the last 10 years and am very pleased with their performance. As a colposcopist who works in a variety of clinical settings, ranging from large tertiary institutions to rural villages, it is important to have a colposcope that I can rely on to deliver outstanding image quality. The Leisegang colposcopes I have used have never failed me. These colposcopes are distinguished by their ease of use, ergonomics, ruggedness and most importantly, their superb optics."

# Colposcopes

All Leisegang colposcopes have the following features:

- Convergent beam path for fatigue-free operation
- Vivid, 3D image
- 300 mm working distance
- LED lighting:

With a color temperature of 5,700–6,000 Kelvin for excellent contrast,

with an illumination intensity of 45,000–52,000 Lux

(at a working distance of 300 mm),

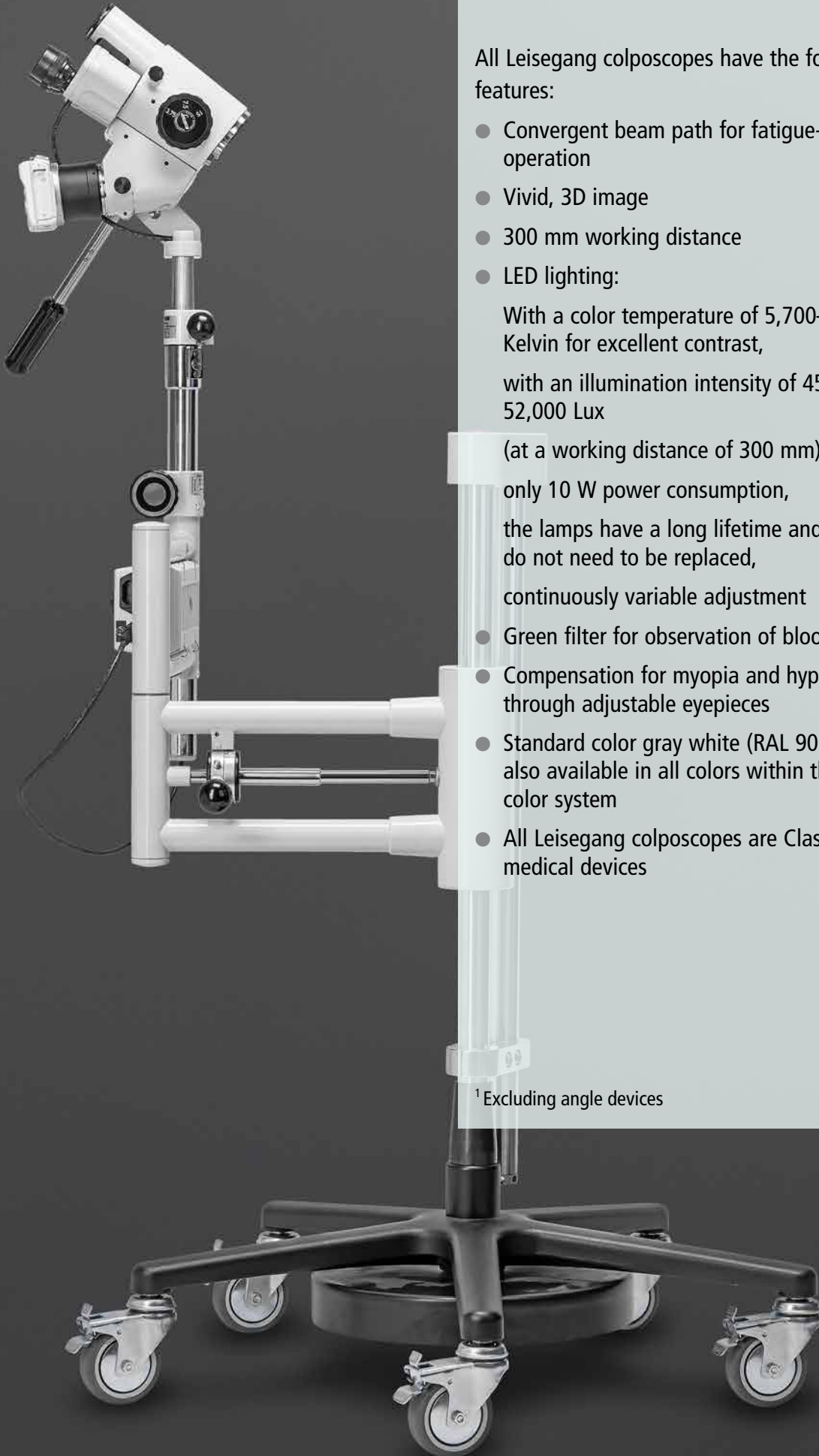
only 10 W power consumption,

the lamps have a long lifetime and therefore do not need to be replaced,

continuously variable adjustment

- Green filter for observation of blood vessels<sup>1</sup>
- Compensation for myopia and hyperopia through adjustable eyepieces
- Standard color gray white (RAL 9002); also available in all colors within the RAL color system
- All Leisegang colposcopes are Class I medical devices

<sup>1</sup> Excluding angle devices





Convergent optics with LED light for fatigue-free operation





# Standard Colposcopes CE

The standard model for day to day consultations with various magnification settings, green filter, continuously adjustable LED lighting, dioptric correction from +7 to -7 diopters and a working distance of 300 mm.

## 1E LED



Entry level model for everyday consultations:

- X15 fixed magnification
- Adjustment drives for focus and height

## 1D LED



Standard device with three magnification levels:

- Magnification changer for x 7.5-/15-/30 magnification
- Adjustment drives for focus and height
- **1DS LED**  
As for 1D LED, but with x 3.75/7.5/15 magnification



All Leisegang colposcopes have fine adjustment drives for

- Height (1)
- Focus (2)
- and tilt angle (3)



Fixed magnification x 15



X 3.75/7.5/15 magnification

# Photo/video colposcopes

Colposcopes for users with more advanced requirements such as documentation or presentation of the examination image on a monitor. Highly dimmed lenses allow for a large depth of focus.

## 1DW LED



As for 1D LED, but with comfortable 45° angled view:

- Magnification changer for x 7.5-/15-/30 magnification
- Note: no green filter!



x 7.5-/15-/30 magnification

## 3ML LED



Photo/video colposcope for the documentation of examination results. Intended for the connection of external cameras:

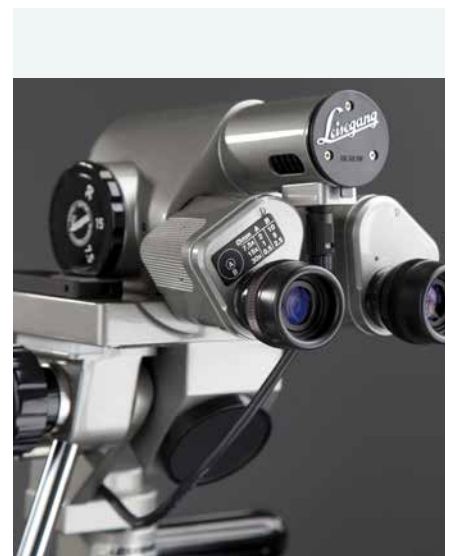
- Magnification changer for x 7.5-/15-/30 magnification
- Integrated mono photo/video optics with the appropriate magnification
- Digital SLR camera or video camera can be connected
- **3MLS LED 1"**  
Like 3ML LED, but with x 3.75/7.5/15 magnification; for cameras with 1" chip size
- **3MLS LED 1/2"**  
Like 3ML LED, but with x 3.75/7.5/15 magnification; for cameras with 1/2" chip size

## 3MLW LED



Like 3ML LED, but with comfortable 45° angled view.

- Magnification changer for x 7.5-/15-/30 magnification
- Note: no green filter!



Convenient mounting of cameras via the camera port:

## Stands

Leisegang offers various types of stands, which can be either mobile or fixed to the gynecological examination chair.

They are characterized by an ease of use and a low space requirement.

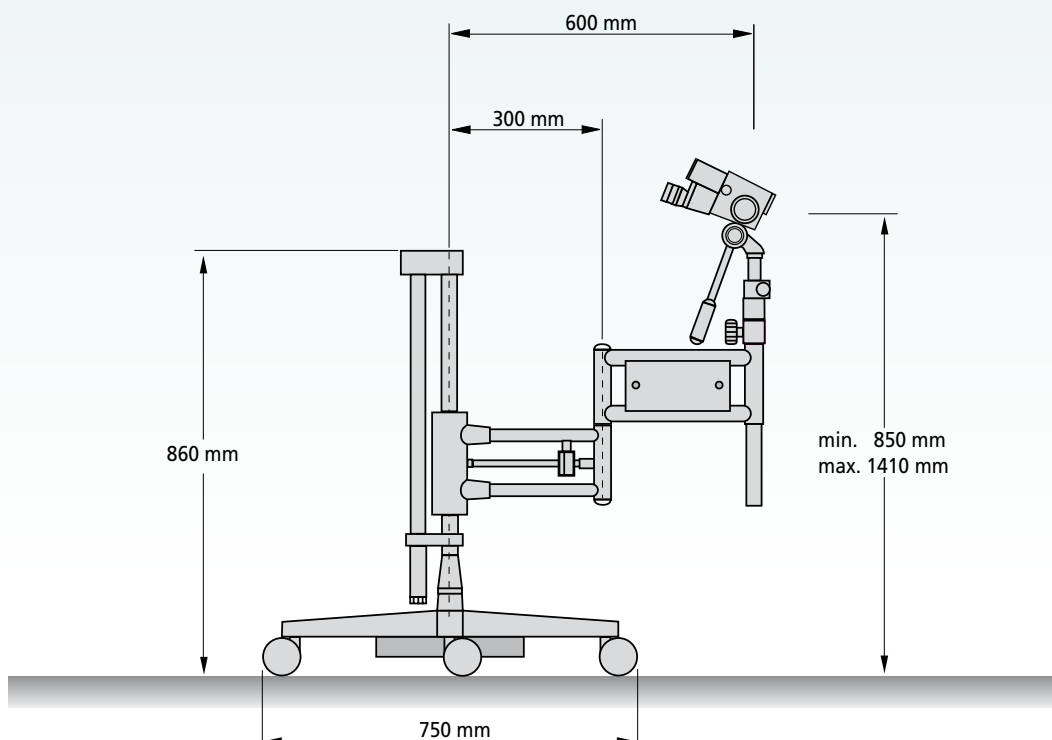
All Leisegang stands are accessories for colposcopes and also Class I medical devices.



## Balance-o-matic stand

Comfortable works due to  
"weightless," free movement:

- Free horizontal movement within a radius of up to 600 mm
- Space-saving due to foldable frame (radius when folded: 300 mm)
- "Weightless" vertical movement due to balanced, an effortless movement system
- Lockable
- Fixed mounting to examination chairs on the right or left is possible
- Five-wheel spider base allows for stand mobility
- A later conversion from chair to roller foot mounting is possible

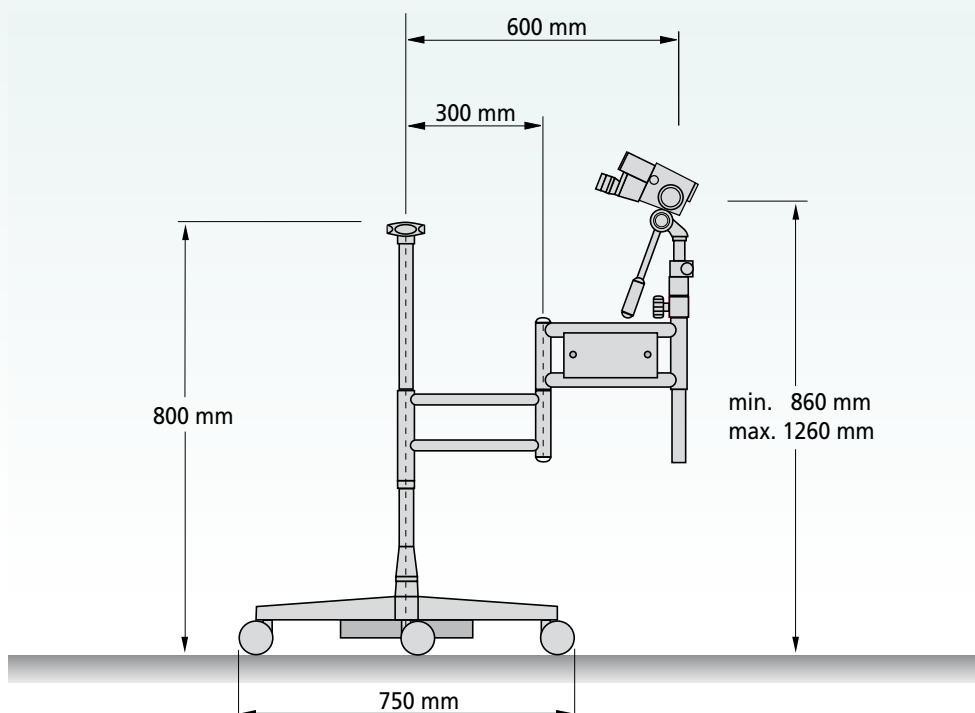




## Swing-o-matic stand

**Solid design with low space requirement:**

- Free horizontal movement within a radius of up to 600 mm
- Space-saving due to foldable frame (radius when folded: 300 mm)
- Vertical movement through manual adjustment and height drive
- Fixed mounting to examination chairs on the right or left is possible
- Five-wheel spider base allows for stand mobility
- A later conversion from chair to roller foot mounting is possible



# Stands

## Upright Stand

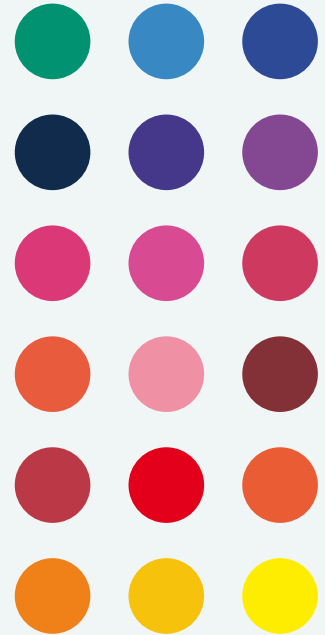
### Robust basic model:

- Rigid column with light weight 5-wheeled spider base
- Working height: 970–1090 mm



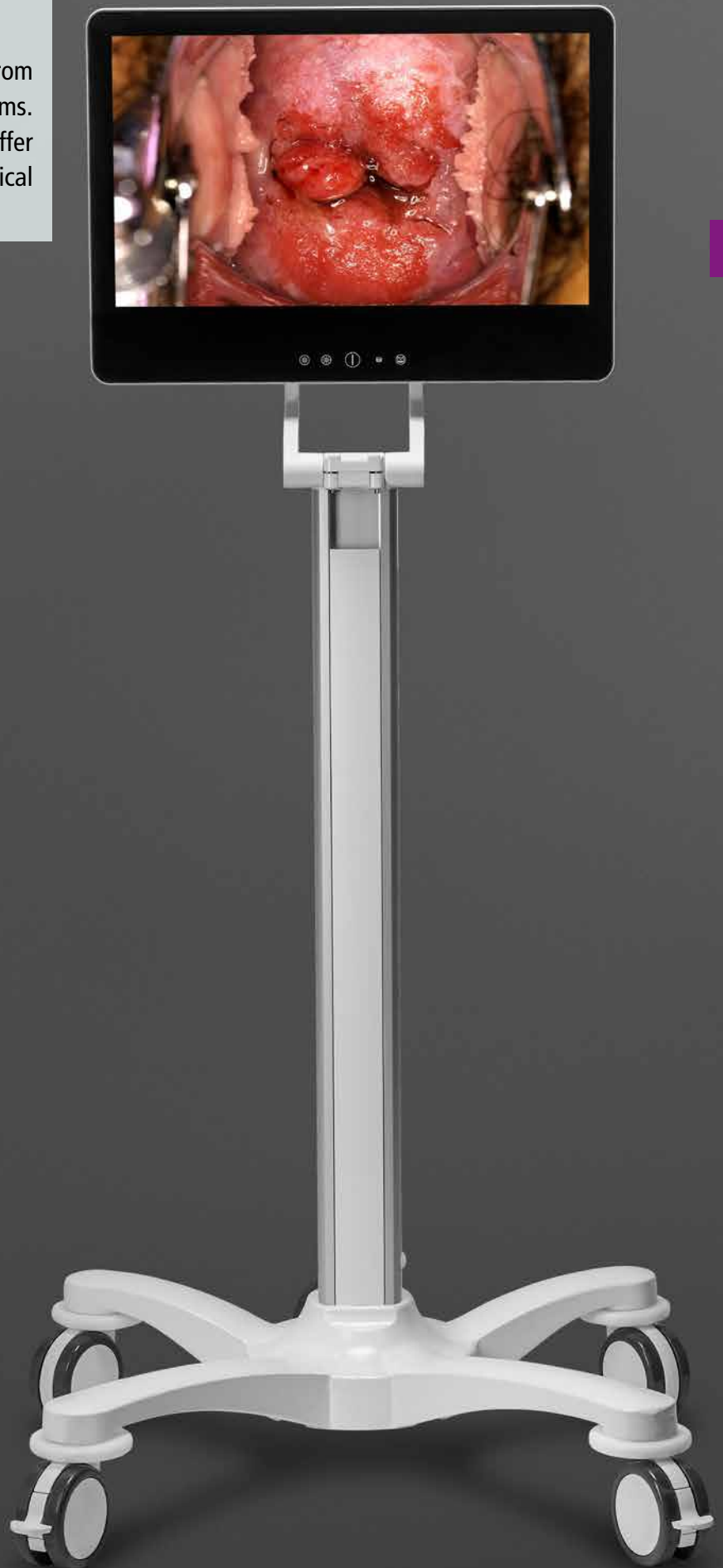
## Special finish

All Leisegang colposcopes and stands are also available with special painting in all RAL colors.



## Associated equipment

Leisegang purchases associated equipment from third-party suppliers to supplement its systems. The associated equipment supplied may differ from the illustrations shown due to technical developments and changes.



# Associated equipment

Associated equipment for the documentation of findings.

## Video camera

### Compact Video Camera:

- 1.3 MegaPixel resolution
- CCD image sensor
- C-mount lens mount
- USB 2.0 port
- For connection to PC
- Immediate availability of the images
- Simple connection via video tube

## Canon EOS

Digital SLR camera from Canon with extremely high resolution. In addition to everyday office work, also suitable for scientific publications and presentations:

- 24 MegaPixel resolution
- CMOS image sensor
- Full HD-Movies
- For connection to PC
- Easy connection via photo tube and T2 adapter
- T2 adapter included in the scope of delivery
- Canon lens not included in scope of delivery; photo tube must be ordered separately





## Panel PC with touch screen

### Particularly sleek, completely enclosed Panel PC

- Convenient touch operation, with on-screen keyboard
- Hygienic design
- Full HD display with wide viewing angle
- IP20



## IMAGING MODALITY

As a modular system, Leisegang colposcopes and the corresponding hardware and software components offer an entry into digital colposcopy with the possibility of integration into existing IT solutions via GDT and/or DICOM.

Our customers can use their colposcope, as they know it from ultrasound or sonography, as an „imaging modality“:

From a colposcope head with an HD camera, user-friendly software for documentation with images, videos and reports, to integration with existing IT solutions in hospitals or private practices.

## This is how MediaWorkStation simplifies the management of your image and video data

- **User-friendly**

Easy to record, save, and retrieve footage with intuitive user interface

- **Adjustable**

The software interface is customizable and available in multiple languages

- **Secure**

Unique assignment of images to the selected patient dataset, automatic database backup

**We are available to discuss a custom solution for your requirements!**

## Cart light Duty

- For adding a tablet, panel PC or something else
- With VESA plate or similar
- Five-wheel spider base for stand mobility
- Optional: with grip bar, tray and basket



## Cart heavy Duty

- For the inclusion of a panel PC or something else
- With VESA plate or similar
- Heavy five-wheel spider base for stand mobility
- With grip bar and printer tray



## Keyboard

### The alternative to the touchscreen

- Wireless, cordless keyboard with integrated touchpad, language: German
- Fully enclosed surface made of „Gorilla“ glass, washable and sanitizable (IP65 front side)
- USB port
- Incl. Bluetooth dongle, charging cable and charging plug with 4 adapters



## Footswitch

- 2 pedals
- USB connection
- Cable length 3 m





# MWS MediaWorkStation

## effortless documentation and archiving



MediaWorkStation organizes your imaging and video footage easily and efficiently. The software has been optimized for colposcopy in collaboration with leading international gynecologists. The result is a particularly intuitive user interface that ensures uncomplicated workflow.

### Recording

- Recording of single images and video sequences
- Preview with split display for live and single image recording
- Control via software, camera shutter release or footswitch

### Commenting

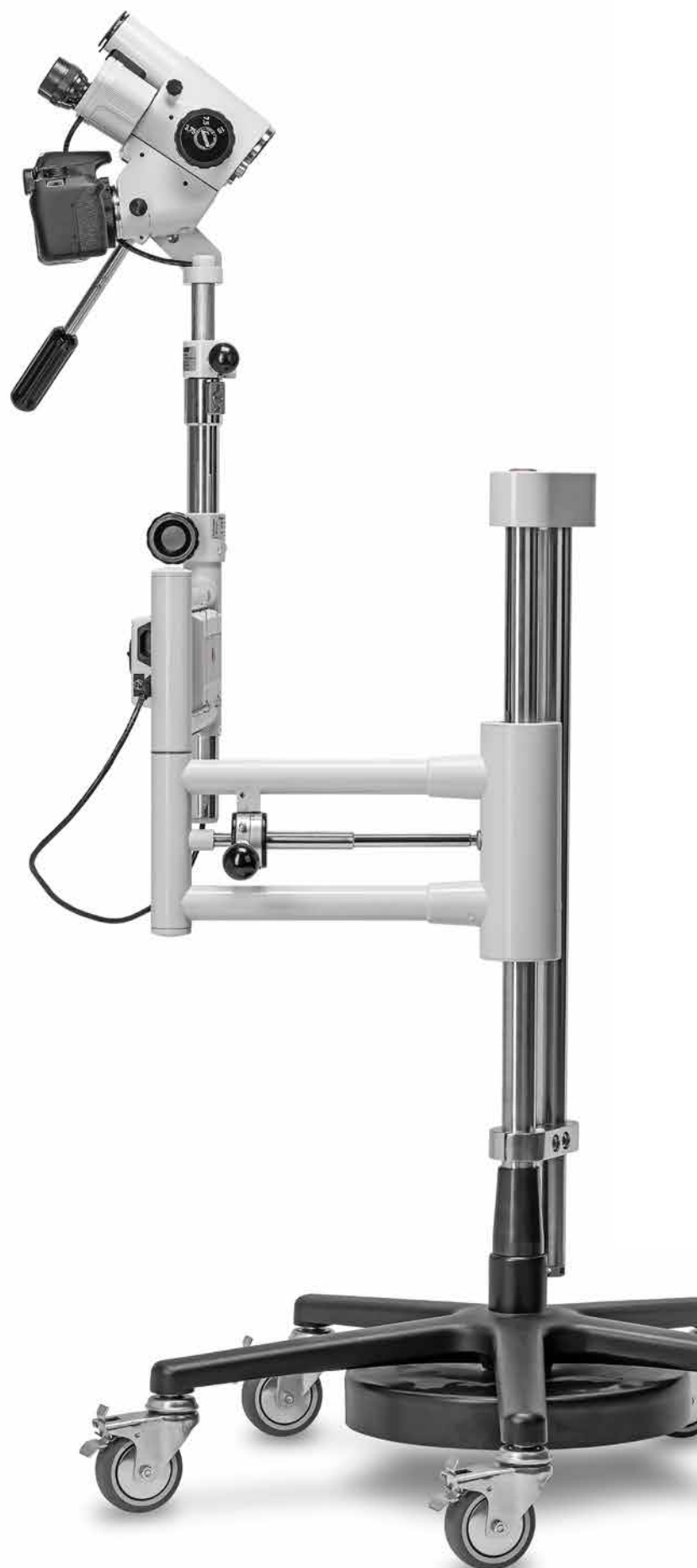
- Input of free text or text modules
- Text modules based on the current IFCCPC nomenclature for colposcopy („Rio de Janeiro,“ 2011)
- Insertion of graphic markers
- Mapping of colposcopic and histological findings

### Exporting

- Export as file, images with embedded patient indicators
- Direct printing of images with embedded patient identification
- HTML reports with images and patient data

### Database

- Structured archiving in a database
- Free text search
- Automatic backup of database





An integrated image atlas supports the diagnosis as a reference aid. A DICOM Push and a DICOM Worklist interface are available as options. MediaWorkStation Software is a Class I medical device.

Available language versions: German, English, French, Italian, Spanish, Russian, Turkish, Chinese



**NOTE:**  
For chair assembly, a load capacity of at least 32 kg is required



# Quick Finder

## Standard Colposcopes

Model	Magnification			LED lighting	Fine adjustment drives for focus and height			45° angled view	Green filter	Dioptric compensation ± 7 diopters
	15x	3,75/7,5/15x	7,5/15/30x		Height	Focus	Tilt			
1E LED	•			•	•	•	•		•	•
1D LED			•	•	•	•	•		•	•
1DS LED		•		•	•	•	•		•	•
1DW LED			•	•	•	•	•	•		•

## Photo/video colposcopes

Model	Magnification		LED lighting	Fine adjustment drives for focus and height			45° angled view	Green filter	Dioptric compensation ± 7 diopters
	3,75/7,5/15x	7,5/15/30x		Height	Focus	Tilt			
3ML LED		•	•	•	•	•		•	•
3MLS LED 1"	•		•	•	•	•		•	•
3MLS LED 1/2"	•		•	•	•	•		•	•
3MLW LED		•	•	•	•	•	•		•

## Cameras

Model	Resolution		Mounting	Live Video	For which colposcope		
	1,3 MP	≥ 24 MP			External	3ML LED	3MLW LED
Video camera	•		•	•	•	•	•
Canon EOS		•	•	•	•	•	•

## Stand Compatibility

Model	Light spider base	Heavy 5-wheeled spider base (B0001500)	Special assembly Maquet Radius chair (BG001010)	Special assembly Maquet Radius chair (BG001020)	Special assembly Atmos Chair Gyne (Baisch) chair (B0001010)
Upright stand with lightweight spider base (BG000131)	•				
Swing-o-matic stand with spider base column (BG001530)		•			
Swing-o-matic stand with short column, for chair assembly, among others Schmitz chair (BG000170)					•
Swing-o-matic stand without column, for chair assembly (BG000160)			•		
Swing-o-matic stand with long column, among others for examination tables (BG000180) For special uses: Please contact us					
Balance-o-matic stand (BG000135)		•		•	•



*Leisegang*

BERLIN

Ømm	A	B
7.5x	2	10
15x	1	5

A  
B

EOS M200

MENU

SET

INFO

# Contact Partner

## Dr. Thomas Kupferschmidt

Senior Director Business Development Cooper Surgical  
and Leisegang Head of Sales  
Authorized signatory

Tel. +49 30-31 90 09-0

E-mail [Thomas.Kupferschmidt@coopersurgical.com](mailto:Thomas.Kupferschmidt@coopersurgical.com)

## Falko Sandmann

Head of Quality Management

Tel. +49 30-31 90 09-31

E-Mail [Falko.Sandmann@coopersurgical.com](mailto:Falko.Sandmann@coopersurgical.com)

## Barbara Breitfeld

Sales / Customer Service

Tel. +49 30-31 90 09-34

E-Mail [Sales.leisegang@coopersurgical.com](mailto:Sales.leisegang@coopersurgical.com)

## Ingo Hampe

Sales / Marketing

Tel. +49 30-31 90 09-46

E-Mail [Ingo.Hampe@coopersurgical.com](mailto:Ingo.Hampe@coopersurgical.com)

## Mustafa Sakrak

Technical Service

Tel. +49 30-31 90 09-0

E-Mail [Service@leisegang.de](mailto:Service@leisegang.de)

### Regulatory and legal information:

Leisegang colposcopes are Class I Medical Devices according to Annex IX of the 93/42/EEC Medical Devices Directive. In a conformity assessment procedure in accordance with Annex VII of the Medical Device Directive, Leisegang Feinmechanik-Optik GmbH has demonstrated that Leisegang colposcopes fulfill the essential requirements of Annex I of the Directive. To demonstrate compliance with these requirements, the devices are marked with a CE mark.

Copyright: ®, ™, etc.

The product and company names mentioned may be trademarks or registered trademarks of their respective owners.

All technical and design changes reserved.

For more information, visit our website: simply scan the QR code using a smartphone and a QR code app.



Doc. No.: K0000671  
Revision: 1.1.0  
Date of issue: 09.2022



Leisegang Feinmechanik-Optik GmbH

Leibnizstraße 32

D-10625 Berlin, Germany

Telefon +49-(0)30-319009-0

Fax +49-(0)30-3135992

E-Mail [Sales.leisegang@coopersurgical.com](mailto:Sales.leisegang@coopersurgical.com)

Internet <http://www.leisegang.de>

a CooperSurgical company



Healthy women, babies, and families™

Managing Directors:

Uwe Skirl, Kerry Blair

Presented by

